



INTERNATIONAL CASTING SPORT FEDERATION

International Tournament Rules for Fly casting sport

ICSF Edition: 03-2022

Print 2022

All red markings are parts to cancel.

All green markings are new rules or updates.

INTERNATIONAL CASTING SPORT FEDERATION (ICSF)

International Tournament Rules for Fly casting sport

Edition: 2022, Print 2022

CONTENT		Page
I	Tournaments for Fly casting	4
II	Participation rules	4
III	Changing the nationality of the caster	5
IV	Events	5
V	Competition Rules	5
	Event 1 Trout Accuracy	5
	Event 2 Trout Distance	7
	Event 3 Seatrout Distance	7
	Event 4 Salmon Distance	8
	Event 5 Spey 15,1'	9
	Event 6 Spey 16'/18'	10
VI	General Rules for Fly-Casting Events	10
	1 Starting order	10
	2 Casting techniques	10
	3 Illegal casts (casts scoring 0 points)	11
	4 Broken or faulty tackle	11
	5 Determining results	11
	6 Courts	12
VII	Conduct of the Caster	12
VIII	Tackle control	13
IX	Official Record Cast	13
X	Evaluation of the separate Events	14
XI	Rules for Individual and Combinations scoring	14
XII	Number of Winners	14

XIII	Determining the Winners	15
	1. Winner	15
	2. Cast-off	15
	3. Finals	15
	4. Proceeding of the Trout Accuracy events	16
	5. Proceeding of the distance events	16
	6. Same results on points of two or more casters in Trout Accuracy event	16
	7. Same results on points of two or more casters in Distance events	16
	8. If two or more casters have the same points score in any combination	16
XIV	Titles	16
XV	Hail the Winners	16
XVI	Tournament committee	17
XVII	Meeting of heads of delegations	18
XVIII	The Jury	18
XIX	Protests	19
	1 Protests against violation of tournament rules	19
	2 Protests against violation of rules concerning the conduct of the tournament	19
XX	Other Rules	19
	1 Duties and conduct of the judges	19
	2 Duties and conduct of the international chief judge:	20
	3 Conduct of trainers and coaches	20
XXI	Groups and group leaders	21
XXII	Other responsibilities of the arranging organisation	21
	1 Start list	21
	2 Insurance	22
XXIII	Starting fees	22
XXIV	Drawings	23

I. TOURNAMENTS FOR FLYCASTING

The ICSF organises World- and Continental Championships as well as sanctioned international competitions for Men, Ladies, Juniors and Veterans according to following these International Fly-Casting Tournament Rules. Juniors can participate in men and ladies' class.

A veteran Man is a caster as from the calendar year they reach the age of 60

A veteran Lady is a caster as from the calendar year they reach the age of 55.

A junior is a caster up to the end of the calendar year in which they reach the age of 18.

II. PARTICIPATION RULES

All National Organisations in good standing organised in the ICSF may take part at ICSF World- and Continental Championships and at all sanctioned International Tournaments.

The list of tournaments for fly casting sport season will be published by ICSF Board before the season starts.

All National organisations under ICSF/CIPS may participate in the World- and Continental Championships.

Excluded are organisations and their individual athletes that have lost their membership or have not paid the ICSF membership fee. Application and notice of participation to World- and Continental Championships may be made up to 2 months before the Championships.

Names of the participants are to be given at least 4 weeks before the World- and Continental Championships. The final changes can be made at the delegation leaders' meeting before the competition.

Changes because of sudden sickness of participants are to be tendered with written notice to the Tournament Committee (organization committee) before 1 hour in advance of Tournament Opening. (Point of time as stated in the invitation)

All nations and participants are obliged to follow the ICSF anti-doping rules, which is in the compliance with WADA (World Anti-Doping Agency).

Result determines a title.

The highest number of participants at World- and Continental Championships per nation is 8 named men, 4 veteran men, 6 boys, 8 ladies, 4 veteran ladies and 6 girls per event. Reserves are allowed.

At all Junior World- and Continental Championships each nation may have a maximum of 6 named boys in events 1 to 6 and 3 named girls in events 1 to 6.

World- or Continental Championships can only be carried out if, in the men's division at least 6 nations participate. In the divisions of the veterans, ladies, boys and girls, 3 nations participate. Arranging an event requires minimum of 10 participants in men's class, 8 in the ladies and the veteran class in total, from minimum of 3 countries (per class).

III. CHANGING THE NATIONALITY OF THE CASTER

Casters, changing their nationality and their national organisation, are barred from any International Tournaments for one year. The change must be reported in each case to the ICSF. New admittance must be applied for at the ICSF, when the year has passed. Such a new admittance is only possible if the caster has obtained his new nationality or makes the application plausible.

IV. EVENTS

Men's division (Men veteran)

Event 1	Trout Accuracy
Event 2	Trout Distance
Event 3	Seatrout Distance
Event 4	Salmon Distance
Event 5	Spey 15,1'
Event 6	Spey 16'/18'

Ladies division / Ladies veterans

Event 1	Trout Accuracy
Event 2	Trout Distance
Event 3	Seatrout Distance
Event 4	Salmon Distance
Event 5	Spey 15,1'
Event 6	Spey 16'/18'

Boys and girls divisions

Event 1	Trout Accuracy
Event 2	Trout Distance
Event 3	Seatrout Distance
Event 4	Salmon Distance
Event 5	Spey 15,1'
Event 6	Spey 16'/18'

V. COMPETITION RULES

If possible, all courts are to be built with the wind from behind.

Event 1 Trout Accuracy

Rod: Fly rod of any brand or AFTM class, maximum length 275.5 cm. including production deviation (9 ft. = 274.3 cm).

Reel: Standard flyfishing reel, or self-made reel corresponding to standard. The reel must be fastened to the rod; the line has to be fastened to the reel. The reel must carry all backing, and the fly line including the leader.

Line: Scientific Anglers Mastery Expert Distance Competition WF5F (orange, 120 ft.). The line is not to be modified in any way, except from cutting the loops in front and back. The line must be laser marked from producer. **The line must not be marked in any way to indicate distance.**

- Leader: Monofilament, minimum length 2.50 meters. The tip of the leader must be a minimum 40 cm long and max. diameter 0,30 mm, and highly visible colour such as yellow, orange, neon green, etc, not transparent.
- Fly: Any standard tournament fly, dry fly size 10, without hook. Hackle diameters 16-20mm, to be tied in approved dry-fly/Palmer style and good visible colour, like neon green, yellow, orange, etc. Before starting the event, the caster must show the fly to the judge who decides if the fly is correct or not. In case of loss, flies can be replaced in an unrestricted number.
- Targets: 4 targets, each consisting of 3 circular rings with diameters of 60-120-180 cm.
- Court: The targets are to be placed about 90 degrees on the stand, (in fan form, with 2 targets on each side of the centerline), randomly between 8 and 15 meters from the stand (measured from the front of the stand, to the center of the individual targets). The distance between the stand and the targets will be reset between the qualification rounds and the finals. The stand is marked and measures 1.2 m. x 1.2 m, measured at the outside edge of the marking tape used to define the stand boundaries. If the caster oversteps the stand perimeter whilst casting, the caster will be given a warning. The next time the caster oversteps the stand boundary whilst casting, the overstepping will result in a zero score at the target they are currently casting at. The height of the stand (bridge) is a maximum of 50 cm above the water. The total measure of the court is from the back boundary of the stand, including the sides, and 20 meter in front.
- Type of cast: Overhead cast is the only type of cast allowed. **Adjusting the length of the line can only be done while false casting.** It is not allowed to lay down the line behind and strip the line from the reel. When starting, the caster must hold the fly in hand, and the length of the fly line outside the top ring cannot exceed the length of the rod, leader not included (no loose fly line at reel). If the line is not pulled in at rod length, the judge will ask the caster to correct it. After a second demand, the caster will be disqualified from this event. The casting order is from left to right 1, 2, 3, 4 * 4, a total of 16 casts.
- Casting: When the judge signals the caster to start, the caster must drop the fly and start false casting, due to the allowed time is running. A hit is recorded if the fly hits within or on the ring itself. A hit on or within the center ring is awarded with five (5) points, a hit on or within the middle ring is awarded with three (3) points, and a hit on or within the outer ring is awarded with one (1) point. If the fly, leader or line strikes the surface or inside the ring, while false casting, the cast is regarded invalid (0 points), and the caster must continue to the next target. If two or more contestants achieve the same result, the elapsed time will decide their rankings.
- Time: Time limit 5 minutes.
- Score: Each hit in target scores 5, 3 or 1 point. Maximum score 80 points.

General: It's allowed to hit the water, or lay down the line, behind the stand.

Event 2 Trout Distance

Rod: Fly rod of any brand or AFTM class, maximum length 275.5 cm. including production deviation (9 ft. = 274.3 cm).

Reel: Any reel. The reel fastened to rod, and the line fastened to the reel. Reel to carry all backing, the whole fly line including the leader.

Line: Scientific Anglers mastery expert distance competition WF5F (orange, 120 ft.). The line is not to be modified in any way, except from cutting the loops in front and back. The line must be laser marked by the producer. **It is not allowed to mark the line in any way.**

Leader: Monofilament, maximum length 3 meters. Tippet diameter unrestricted

Fly: Yarn/Wool in a bright colour like white, yellow, neon green or similar, min. length 2.0 cm.

Court: A valid cast must be delivered from the stand and in-between parallel sector lines. The sectors have a width between 5-10 meters and a minimum length of 50 meters. The width of the stand equals the width of the sector. The height of the stand (bridge) is a maximum of 50 cm above the water. **Courts must be built in both directions.**

Time: Time limit 6 minutes, **divided into two rounds of three minutes.**

Score: The casts are measured from the stand to the fly, and the passed half a meter. The longest cast delivered within the time limit will define the results. If two or more participants achieve the same distance, the second longest cast will decide their rankings, **then the third cast. If still equal, the casters with the same score will cast again.**

General: The line may be pulled out outside the court during the casting of the previous caster. The fly must lay down outside of the courts. **The line must lay on the water by the start. There is allowed to change casting direction during the casting time.**

Event 3 Seatrout Distance

Rod: Fly rod of any brand or AFTM class, maximum length 306 cm. including production deviation (10 ft. = 304.8 cm).

Reel: Any reel. Reel fastened to rod, and line fastened to the reel. Reel to carry all backing, the whole fly line including the leader.

Line: Floating synthetic fly line. Maximum head weight 27 grams, **including front taper and tip of the line.** Any part of the rear taper with a diameter exceeding 1 mm. (.039 in.) is included in the head weight. The maximum allowed diameter of any part of the fly line is 2 mm. (.079 in).

Running line:

Diameter between 0.35 mm - 1 mm. (.014 - .039 in.). Any part exceeding 1 mm. will be included in the head weight.

Leader: Monofilament, maximum length 3 meters. Tippet diameter unrestricted

Fly: Yarn/Wool in a bright colour like white, yellow, neon green or similar, min. length 2.0 cm.

Platform: The stand is the same as the width of the court and the width of the (floating) bridge.

Court: A valid cast must be delivered from the stand and in-between parallel sector lines. The sectors have a width between 5-10 meters and a minimum length of 60 meters. The width of the stand equals the width of the sector. The height of the stand (bridge) is a maximum of 50 cm above the water. **Courts must be built in both directions.**

Time: Time limit **6 minutes. divided into two rounds of three minutes.**

Score: The casts are measured from the stand to the fly, and to the passed half a meter. The longest cast delivered within the time limit will define the participant results. If two or more participants achieve the same distance, the second longest cast will decide their rankings, **then the third cast. If still equal, the casters with the same score will cast again.**

General: The line may be pulled out outside the court during the casting of the previous caster. The fly must lay down outside of the courts. **The line must lay on the water by the start. It is allowed to change casting direction during the casting time.**

Event 4 Salmon Distance

Rod: Fly rod of any make or AFTM class, maximum length 460 cm. including production deviation (15 ft. = 457.20 cm).

Reel: Any reel. The reel fastened to the rod, and the line fastened to the reel. Reel to carry all backing the whole fly line including the leader.

Line: Floating synthetic fly line. Maximum head weight 55 grams, **including front taper and tip of the line.** Any part of the rear taper with a diameter exceeding 1.1 mm. (.043 in.) is included in the head weight. The maximum allowed diameter of any part of the fly line is 3 mm. (.118 in).

Running line:

Diameter between 0.35 mm - 1.1 mm. (.014 - .043 in.). Any part exceeding 1.1 mm. will be included in the head weight.

- Leader: Monofilament, maximum length 5 meters. Tippet diameter unrestricted
- Fly: Yarn/Wool in a bright colour like white, yellow, neon green or similar, min. length 2.0 cm.
- Platform: The stand is the same as the width of the court, and the width of the (floating) bridge.
- Court: A valid cast must be delivered from the stand and in-between parallel sector lines. The sectors have a width between 5-10 meters and a minimum length of 70 meters. The width of the stand equals the width of the sector. The height of the stand (bridge) is a maximum of 50 cm above the water. **Courts must be built in both directions.**
- Time: Time limit 8 minutes. **divided into two rounds of four minutes.**
- Score: The casts are measured from the stand to the fly, and to the passed half a meter. The longest cast delivered within the time limit will define the participant results. If two or more participants achieve the same distance, the second longest cast will decide their rankings, **then the third cast. If still equal, the casters with the same score will cast again.**
- General: The line may be pulled out outside the court during the casting of the previous caster. The fly must lay down outside of the courts. **The line must lay on the water by the start. There is allowed to change casting direction during the casting time.**

Event 5 Spey 15,1'

- Rod: Fly rod of any make or AFTM class, maximum length 463 cm. including production deviation (15 ft. 1 inches = 459.74 cm).
- Reel: Any reel. The reel fastened to the rod, and the line fastened to the reel. Reel to carry all backing the whole fly line including the leader.
- Line: Floating synthetic fly line. The maximum allowed diameter of any part of the fly line is 3 mm. (.118 in).
- Running line:
Unrestricted
- Leader: Monofilament, maximum length 5 meters. Tippet diameter unrestricted
- Fly: Yarn/Wool in bright colour like white, yellow, neon green or similar, min. length 2.0 cm.
- Court: The stand is in front of a V-shaped sector with an angle of 40 degrees, both to left and right. The participants stand in water with a minimum depth of 50 cm, and a maximum 60 cm. Starting a cast, the whole line must be placed outside of a sector buoy. Delivering the cast, the fly must land outside of the first measuring rope. The fly must anchor in front of the line formed by the front edge of the stand. The sector has a minimum length of 70 meters. **Courts must be built in both directions.**

Required casts:

a) Line from right - over the left shoulder and b) line from left - over the right shoulder.

Time: Time limit 6 minutes. No warm-up periods.

Score: The casts are measured from the stand to the fly, and to the passed half a meter. The sum of the longest casts for each of the two-required type of casts within the time limit will define the participant's result. If two or more participants achieve the same result, the sum of the second longest casts on each side of the sector will decide their rankings, then the third casts. If still equal, the casters with the same score will cast again.

General: The line may be pulled out outside the court during the casting of the previous caster. The fly must lay down outside of the courts. There is allowed to change casting direction during the casting time.

Event 6 Spey 16'/18'

Rod: Fly rod of any make or AFTM class, the maximum length for men 550 cm. including production deviation (18 ft. = 548.64 cm), and for women 489 cm. (16 ft.=487.68 cm.)

Reel: Any reel. The reel fastened to the rod, and the line fastened to the reel. Reel to carry all backing the whole fly line including the leader.

Line: Floating synthetic fly line. The maximum allowed diameter of any part of the fly line is 3 mm. (.118 in).

Running line: Unrestricted

Leader: Monofilament, maximum length 6 meters. Tippet diameter unrestricted

Fly: Yarn/Wool in bright colour like white, yellow, neon green or similar, min. length 2.0 cm.

Court: The stand is in front of a V-shaped sector with an angle of 30 degrees, both to the left and right. The participants stand on a platform. The high of the stand is a maximum of 50 cm above the water. Starting a cast, the whole line must be placed outside of a sector buoy. Delivering the cast, the fly must land outside of the first measuring rope. The fly must anchor in front of the line formed by the front edge of the stand. The sector has a minimum length of 80 meters. Courts must be built in both directions.

Time: Time limit 6 minutes. No warm-up periods.

Score: The casts are measured from the stand to the fly, and passed half a meter. The longest cast delivered within the time limit will define the participant's result. If two or more contestants achieve the same distance, the second longest cast will decide their rankings, then the third cast. If still equal, the casters with the same score will cast again.

General: The line may be pulled out outside the court during the casting of the previous caster. The fly must lay down outside of the courts. **The line must lay on the water by start. It is allowed to change casting direction during the casting time.**

VI. GENERAL RULES FOR FLY-CASTING EVENTS

1. Starting order

The starting order is to be drawn

2. Casting Techniques

- a. According to the specific rules for each event, the fly rod must be used by one respectively two hands. It's allowed to achieve a fulcrum by putting the rod against the underarm, but no fastening is allowed. All other technical aids are prohibited. Only overhead cast is allowed in events 1-4.
- b. It's allowed to guide/give comments on casting techniques, but not in Trout Accuracy regarding hits or misses.

3. Illegal cast (cast scoring 0 points):

- a) if the rod is not handled according to the rules.
- b) if during the delivery the fly or the leader is missing.
- c) In case of a leader tangle, the leader should be under a required minimum of 2.50 metres in Trout Accuracy. The cast is scored 0, if otherwise correct.
- d) if the fly touches the water or the target after the time is out,
- e) if the line in event Trout Accuracy, is pulled from the reel before the judge has given start clearance
- f) if in the Trout Accuracy, the fly hits the water or target during false cast, **both in front and sideways.**
- g) If in the Distance events, the fly lands outside the sector.
Hits or distances achieved by illegal casts are non-scoring. If any tackle, not in conformity with regulations is being used, the caster will be disqualified for the whole event.

4. Broken or faulty tackle

- a) Each caster is personally responsible for using correct tackle for each event.
- b) The participant is not allowed to replace any of the equipment when time is running (other than fly and leader). If there are any breakage of the equipment (other than fly and leader), the time will be stopped, until the broken parts are replaced.
- c) By such an event time is stopped. With a changed new tackle according to the rules, the remaining time can still be used, but only within the same round. Such defects must be referred to the International Judge of the court.

- d) The caster will have 10 minutes to repair or change damage equipment. **In final competitions, the time stop is eliminated.**
- e) If the fly or the leader is lost, the caster may be assisted by one person at a time, to replace the fly or the leader. The participant may have assistance to, clear a tangle of the line, to replace a lost fly or leader or any other tackle malfunctions, but from only one person at a time. Distances and hits before the incident count.
- f) If the hackle of the fly is separated from the hook, subject to decision of the Judge, the time is stopped, and the participant or the assistant is requested to put on a new fly immediately, the line must be pulled in for the replacement.
Time starts again as soon as the fly has been replaced. An unrestricted number of flies can be used.

5. Determining results

- a) The first time the fly hits the target in an accuracy event, must be scored for each try. In distance events, the cast is measured where the fly comes to rest.
- b) Casts may be repeated if there is influence by other persons. This is to be decided by the head judge after advice from the court judges.
- c) In fly events time starts when the caster declares to be ready and the Judge has given start clearance. Before time is up, the fly of the last cast must have landed or have touched the water or the target in event Trout Accuracy, and must be delivered in distance events.

6. Courts

When the Organizer has built courts in both directions for distance casting, and it's possible to choose the casting direction, the participant must choose the direction at least one minute before the previous participant has finished the casting. If there are two courts in both directions, the participants must agree upon which direction to cast. If they fail to agree, they must cast in the same direction as the previous pair. **When direction is chosen, you have to cast that direction for that round. In events 2, 3 and 4, there will be two rounds with half the time in each.** When having two courts, the participants have half the time in each court, **divided at two rounds. It is allowed to change the equipment after the first round. changing after half time. They have 30 seconds to change. The time stops between the two rounds.**

VII. CONDUCT OF THE CASTER

- a) The standing of ICSF is increased according to contributions from of the casters at tournaments, like showing discipline, sporting manners and high performance. This also includes the uniform attire of the athletes. It is compulsory for each caster to act in a sporting and friendly manner and follow all advice from Judges and Tournament Committee. Unsporting demeanour detracts from the standing of the organisation and will be punished, if continued the caster can be disqualified from the tournament.
- b) Each caster is responsible for the correctness of the tackle according to the Rules. Continuity in the casting is demanded from each caster.

- c) On tournament days training at the tournament site is possible, but only if the process of the event is not disturbed. Any caster acting against the advice from the Tournament Committee will be warned and if the participant continues to act against the advice, the participant may be disqualified for the rest of the tournament.
- d) Each caster must appear at the start, on the first call. The time is running immediately after the start signal of the Judge. The time to go to the start and to start casting, is 60 seconds when caster has been called by the Judge, immediately after the measuring of the previous participant. For all the events it is important that, the next following participant will also be called to be prepared for the cast or the round. The participant must start the cast or the round immediately when the Judge gives the starting signal.
- e) If in Trout Accuracy, the fly line is longer than rod length by start, the Judge should draw the participants attention and warn the participants. No loose line by the reel. If the line is not shortened after the warnings by the Judge, the caster will be disqualified from the event.
- f) Each caster must follow the internationally acknowledged regulations on doping settled by ICSF anti-doping rules, which are following, WADA Code.

VIII. TACKLE CONTROL

At World- and Continental Championships tackle controls, has to be carried out by one International Judge and one assistant supplied by the arranging organisation. The control station, must be close to the courts. The chosen caster must be guided with the tackle to the control station at least by a National Judge. The chance to be chosen for a tackle control is 1:4. The control will be done, **immediately at the control post.**

Fly-events:

Length of the rod,

Length and colour of the line, and mandatory laser marking in Trout Accuracy and Trout Distance.

Weight **and dimensions, and if the fly line floats**, in event Seatrout, Salmon Distance **and Spey**. Length and structure of the leader, Fly, Reel

If the caster uses a tackle not according to the rules the caster will be disqualified for this event. If it should happen again the caster will be excluded from the whole tournament.

IX. OFFICIAL RECORD CASTS

1. World- and Continental records can only be registered at World- and Continental Championships and at registered International Tournaments. A foreign International Judge must be present.
2. If a new record has been cast, the tackle has immediately to be controlled if it is according to the Rules. This control must be managed by an International Judge. The exact time (o'clock) has immediately to be ascertained and marked in the caster's starting book or starting list, the International Judge must countersign. A foreign International Judge must approve the correctness of the control. **Official record casts can only be set at water courts, with a correct high, or depth of the stand.**

Combination events 1 to 4

Combination events 1 to 6

Combination events 5 to 6

XII. NUMBER OF WINNERS

a) At any World- and Continental Championships, the following awards will be given.

1. Individual events. In each event 3 winners: 1st, 2nd. and 3rd place.
2. All classes, Event 1-4 Combination, 3 winners: 1st, 2nd, and 3rd place.
3. All classes, Event 1-6 Combination, 3 winners: 1st, 2nd, and 3rd place.
4. All classes, Event 5-6 Combination, 3 winners: 1st, 2nd, and 3rd place.
5. In all individual events and combinations, the 1st, 2nd and 3rd place winners receive gold respectively silver and bronze medals. In all the individual events, the awarding will also be done by diplomas for all finalists.

b) At any sanctioned International Tournament, the following awards might be given.

1. Individual events. In each event 3 winners: 1st, 2nd and 3rd place.
2. Combination in all classes. Event 1-4, 3 winners: 1st, 2nd and 3rd place.
3. All-round winner in all classes. Event 1-6, 3 winners: 1st, 2nd and 3rd place.
4. All-round winner in all classes, Event 5-6 3 winners: 1st, 2nd and 3rd place.

XIII. DETERMINING THE WINNER

1. The winner

The winner is the caster who achieves the highest points score in an individual event or combination of events.

2. Recast:

If there is a tie for the last place in the qualification round, or for the 1st, 2nd or 3rd place in the **final**, the involved participants will **cast again to determine their result**. First it must be counted for event 1 – points and time used, events 2,3,4 and 6 – the second longest cast, and if necessary, the third longest cast. **For event 5 – the sum of the longest casts for each of the two-required types of casts and then the longest cast.**

3. Finals:

a) In every individual event, the winner is determined by a final.

Men class:

1 With 10 - 14 participants, there will be a final directly

- 2 With 15 – 25 participants, there will be 6 participants in the final
- 3 With 26 – 39 participants, there will be 8 participants in the final.
- 4 With 40 – 59 participants, there will be 10 participants in the final
- 5 With 60 participants or more there will be 12 participants in the final.

For junior boys and girls, ladies, veteran ladies and veteran men there will be as follows:

- 1 With fewer than 9 participants, there will be a final directly
- 2 With 9 – 14 participants, there will be 4 participants in the final
- 3 With 15 – 25 participants, there will be 6 participants in the final
- 4 With 26 – 39 participants, there will be 8 participants in the final
- 5 With 40 – 59 participants, there will be 10 participants in the final
- 6 With 60 participants or more there will be 12 participants in the final.

The determination of the winners depends on points and time.

- b) All finals are to be cast simultaneously and in the same conditions for every event. The International Chief Judge will confirm and acknowledge the courts.
 - c) All finalists will be divided into groups, depending on how many courts there are.
 - d) The casting courts will be taken by the caster in the reverse order of the achieved results in the qualification round, like f. ex. men division: court 1 – last qualified caster, court 2 – second last qualified caster, etc. If there are more casters than courts in any event, groups must be formed with the same number of casters beginning in the reverse order of the achieved results in the qualification round.
 - e) The results in all finals determine the numerical order of the winners. The qualification round results are scored for any combination **or team** event.
 - f) **The number of athletes in the final, is decided according to the number of registered athletes, not the number of athletes starting the event.**
4. Proceeding of the Trout Accuracy event:
During accuracy round, the time must be taken already in the qualification round, to determine the participants of the finals.
 5. Proceeding of the distance events:
For the Fly-Distance events, the casting courts will be taken by the caster in the reverse order of the achieved results in the qualification round.
 6. Same results on points of two or more casters in Trout Accuracy event:
If there are two casters or more who have the same result in the qualification round or the finals the winner is the caster who has the best result in the shortest time. If the result and the time are still the same, there will be a new qualification/final round.

7. Same results on points of two or more casters in Distance event:

If there are two casters or more who have the same result in the qualification round or in the finals the winner is the caster with the second-longest cast, or the third-longest if the second-longest is equal.

8. If two or more casters have the same points score in any combination:

If two or more casters have the same number of points in any combination, the first respectively, second and third place is shared by the casters. **The same rules apply for teams.**

XIV. TITLES

1. According to the achieved results, every starting caster has, the possibility to receive a World- respectively, Continental Championship title.
2. At all championships, the winner or the winning team is designated champion of that single event or combination of events.
3. The title to be given is: World- respectively, Continental Champion of the event, or the combination of events, and the result added.

XV. HAIL THE WINNERS

1. Hoisting of the National Flags. The sport's tournaments are subject to the Olympic Idea and are brought forward through the principle of Friendship between Nations. To express this thought, the National Flags of the participating nations are hoisted at all important international tournaments.
On-demand of the organizer all participating nations should bring their flags and the national anthem. The organizer can give guidelines concerning the size of the flags.
2. The winners receive in formal manner the medals in gold, respectively silver and bronze and the diplomas, showing their achieved title or place. In all events the national anthem of the winning nation is played, when the medals have been given. In honor of the first three casters their national flags are hoisted together.

XVI. TOURNAMENT COMMITTEE

- a) World- and Continental Championships are administrated through ICSF, or by any person appointed by ICSF. It has full responsibility for the proper organisation and administration of the world- and continental championships according to these International Fly-Casting Tournament rules.
- b) The Tournament Committee must, have at least 5 members, 4 to be named by the country arranging the tournament. The fifth member is the International Chief Judge as representative of the ICSF.
- c) The head of the tournament administration is named by the country arranging the tournament.

- d) During the tournament, the ICSF as organisation is represented in it's controlling function by the International Chief Judge and his assistant. The International Chief Judge is nominated by the ICSF, the assistant by the organising national federation. They are responsible to the ICSF.
- e) The Chief Judge and his assistant are heading the International and National Judges. They must cooperate and share their duties in the courts and the bureau. The final decision is up to the International Chief Judge.
- f) The Chief Judge and his assistant must speak English and/or German.
- g) The World- and Continental Championship are officially completed, when the Tournament Committee and the Jury have received discharge by ICSF or its representatives.

The tournament committee is responsible to the ICSF in all its following tasks:

- a) The technical preparations and the conduct of the events.
- b) The training and instruction of all judges.
- c) The conduct of the tournament according to the International Fly-Casting Tournament rules.
- d) The forming of groups in courts and the time schedule for the competitions.
- e) The controlling of the courts under the direction of the International Chief Judge who will acknowledge the proper conditions of the court, 10 minutes before the start of the particular event, and report this to the Tournament Committee.
- f) Instructions to International (National) Judges
- g) Providing facilities for training before the tournament.
- h) Correct scoring of results and records.

XVII. MEETING OF THE HEADS OF DELEGATIONS

At World- and Continental Championships, a meeting of the heads of delegations has to be held at least the day before the tournaments official opening. A complete starting list with the groups in courts and the time schedule. **and a list with the announced teams and their members must be provided for this meeting.** Changing the start list because of illness or the absence of a caster, by the heads of delegations, is possible.

The meeting of the heads of delegation will nominate the members of the Jury.

XVIII. THE JURY

A jury must officiate at all World and Continental Championships and at all sanctioned International Tournaments. The jury at all World and Continental Championships, **shall have 3 members and two deputy members**, none of them to cast in the tournament. All sanctioned International Tournaments

shall have 3 members and one deputy member, none of them to cast in the tournament. The members of the Jury, must be present during the whole tournament. The deputy members must replace members of the Jury in which the country is involved in a protest, or if one member falls ill. If there are no deputy members, a deputy member must be nominated immediately. This nomination should be done at an immediate meeting with the heads of delegations.

Tasks of the jury:

- a) Decide upon protests founded upon violations of the tournaments and conducting Rules, or the decisions of the judges.
- b) The jury must be called immediately after receiving the protest and must decide in the shortest possible time.
- c) The country lodging a protest and the country concerned are entitled to be present at the jury meeting, up to the moment of voting. Both parties must be heard during the negotiations.
- d) Votes to be counted by simple majority.
- e) Decisions by the Jury are final.
- f) In case of protests concerning the tournament rules, the Chief Judge and the judge of the specific event must give evidence before a decision. Other witnesses may be called.
- g) A written protocol must be kept about each protest and jury meeting. The original must be sent to the Technical Committee of ICSF after the tournament.
- h) The Tournament Committee must be informed immediately about the handling and decisions of the protest.
- i) The Jury has the exclusive right, after discussing the matter with trainers and team captains present, to stop casting an event if weather conditions are severely adverse, such as lightning and thunderstorms, and order a new start.

XIX. PROTESTS

1. Protests against violation of tournament rules
 - a) Every caster participating has the right to appeal the decisions of the judges through a protest. The protest must be forwarded in written form in English or German to the jury, and must be signed by the team leader or by the head of the delegation.
 - b) The protest must be forwarded within **30 minutes after the finish of the event**.
2. Protests against violation of rules concerning the conduct of the tournament
 - a) Any protests must be forwarded in written form to the jury by the head of the delegation
 - b) Protests must be decided before the tournament committee receives discharge by the ICSF

XX. OTHER RULES

1. Duties and conduct of the judges

- a) In all World and Continental Championships, one International Judge will, officiate at each court in addition to the National Judges.
- b) At World and Continental Championships, should the International Chief Judge and his assistant, the International Judges and the National Judges all be dressed in uniform clothes, thus in different colours for each group.
- c) All functionaries (judges, secretaries) must act correctly and without prejudice. They should be characterized with at least arm bands or some task token.
- d) In all events with time limits, the judges must inform the caster of the time still left for the event such as the last minute, last 30 seconds and then all 5 seconds.
- e) The judge will start the event. At “Start” time begins to run. If the time allowed is exceeded, the stopwatch must be shown to the caster, on his demand.
- f) The judges must announce the achieved result of each cast, except during the fly distance events. At Continental and International Championships, the result of each cast must be shown on a result board.
- g) The judges should take a stand that they can observe the court respectively the targets and the caster, but never in front of or directly behind the targets.
- h) The judges are obliged to control the tackle according to the Rules.
- i) At World- or Continental Championships, the International Chief Judge (who will be a member of the tournament committee at international tournaments), together with the judges at the court, decides if a cast may be repeated because of undue influence by third persons.
- j) The Chief Judge is entitled to give warnings to the caster, the trainer or other people because of disciplinary misdemeanours; even to issue disqualifications. Such warnings must be set down in the tournament protocol.

2. Duties and conduct of the International Chief Judge:

- a) Chief Judge is responsible to the ICSF for correctly conducting of the competition on the sport-ground.
- b) Chief Judge is responsible for the National- and International Judges.
- c) Chief Judge is responsible for the correct construction of the courts.
- d) Chief Judge is responsible for the tackle control.

- e) Chief Judge supervises the time schedule.
- f) Chief Judge calls the judges and casters to the courts.
- g) Chief Judge releases each event.
- h) Chief Judge calls the finalists on their new courts.
- i) Chief Judge starts and stops the finals.
- j) Only Chief Judge can issue warnings or disqualifications.

The Chief judge assistant helps and supports him in all duties.

3. Conduct of trainers and coaches

All the trainers, persons responsible and heads of delegation must be reachable on the sports facilities during the days of competition.

- a) It is forbidden for trainers, coaches and all other persons (casters or audience), to move into the area of the courts and to distract casters. The trainer may only give advices and information about casting technique, time and conditions to his caster at any time.
- b) During the casting of all events only one assistant in the court at a time, is allowed to support and help the caster to solve problems with the equipment (rod, reel, line, leader and fly). Any misconduct may be punished by disciplinary action by the tournament committee or the Chief Judge, led only by sporting principles.

XXI. GROUPS AT THE COURTS

The use of groups facilitates the tournament's organization and accelerates the execution.

- a) The forming of groups will facilitate the organisation of the tournament and accelerate its carrying out.
- b) The forming of groups is the responsibility of the tournament committee of the arranging organisation.
- c) For each event, the groups could/may be of different sizes. The maximum for any group is 30 casters.
- d) No caster is allowed to cast outside the group. The starting order for the groups is regulated in start- and timetables. Starting order for each caster inside the group must be maintained. but Each group has to cast on the appointed court.
- e) Every caster in a group is personally responsible for their presence at the start. The participant should therefore report to the casting stations whenever leaving the group.

XXII. OTHER RESPONSIBILITIES OF THE ARRANGING ORGANISATION

- a) Every invitation to World and Continental Championship or to sanctioned International Tournaments must include a guarantee that the International Fly-Casting tournament rules and statutes of ICSF will be followed.
- b) Events should if possible be cast in numerical order. At World and Continental Championships, the medals must be presented in the same order as the events are done.
- c) At World and Continental Championships, or at any sanctioned International Tournaments, arranging organisation has the responsibility that all casters in the same class will cast every event in the same time period and under the same conditions.
- d) At World and Continental Championships and outdoor sanctioned International Tournaments, the casting events are only allowed on the water.
- e) The casters have to be provided with bibs, to be carried by the caster on their upper bodies in an easily recognizable way.
- f) All courts should, if possibly, be placed with the wind from behind.

1. Start lists

- a) The organizer prepares an identical start list with a copy for each event. This start list must contain the name of the caster, the start number and the nationality.
- b) The start lists must be sorted after evaluation, bound together and kept together with the score sheets until the next World or Continental Championships, by the tournament committee.

- c) Errors in numbers or scores must be marked through so they are still legible and new numbers correctly marked. Any such change or correction is to be signed by an International Judge legibly.
- d) In case of loss of the original start list the copy is binding.

2. Insurance

- a) Every caster should be careful during the casting. The courts should be safeguarded so no accident may occur to the casters or spectators. Spectators and casters not at the start must not enter any court.
- b) To be safely guarded against claims by accidents of the casters or third persons, the arranging organisation should carry insurance against accidents. At all World or Continental Championships, physician or medical personnel should be available.

XXIII. STARTING FEES

For all active casters, a starting fee for each event should be paid.

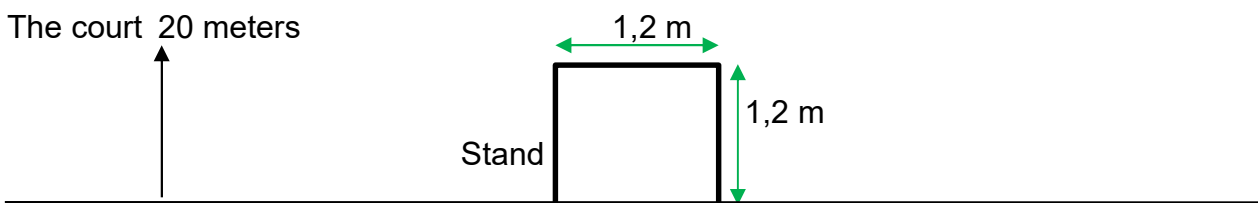
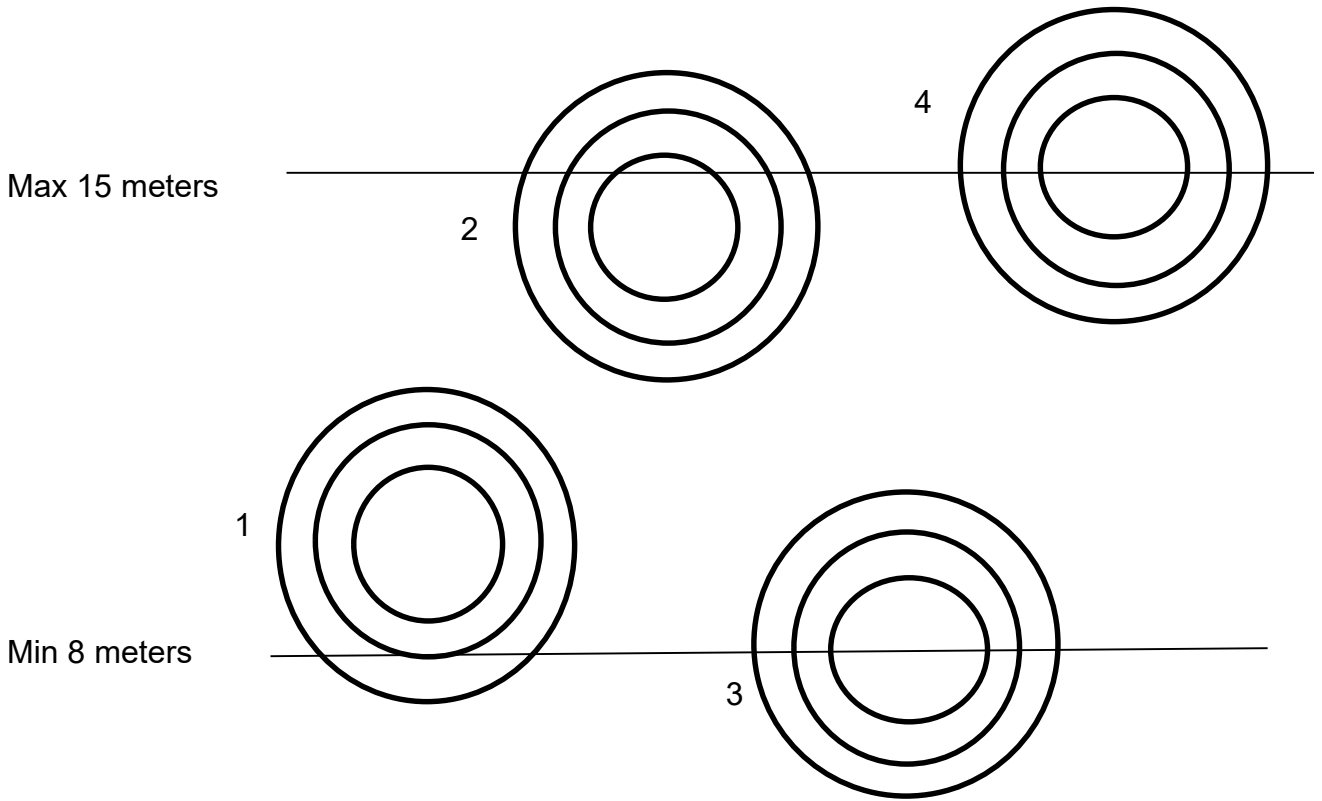
This money is for the covering of costs for the International Judges appointed by the Technical Committee of ICSF during World- or Continental Championships.

At World and Continental Championships every participating nation is obliged upon demand by the arranging organisation to participate with one International Judge. The travelling costs to be covered by the nation and the accommodation costs by the arranging organisation.

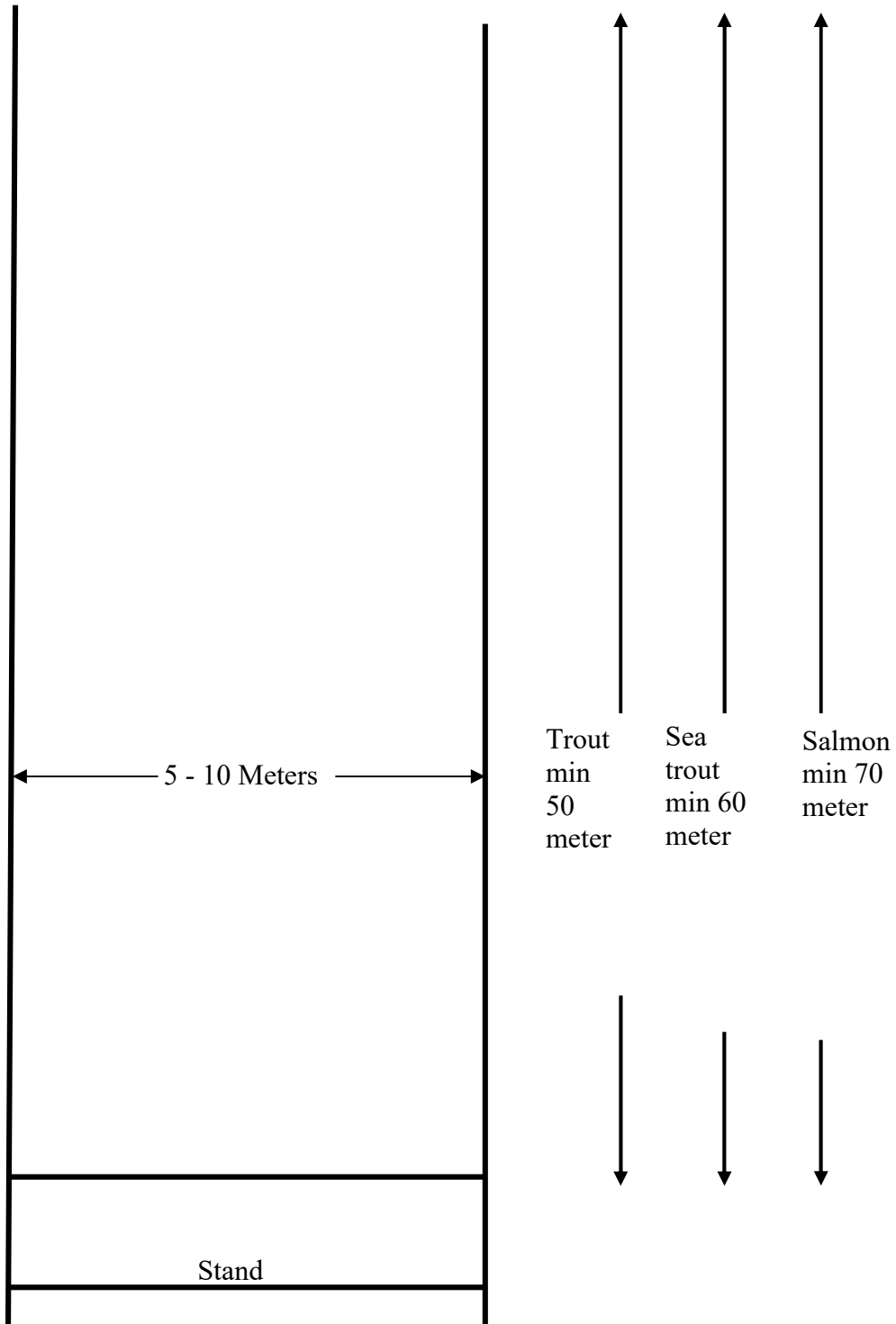
Place:	Date:	Edition:
NORWAY,	APRIL 3,	01-2022
NORWAY,	MAY 28,	02-2022
MILAN, ITALY,	NOVEMBER 19,	01-2023

XXIV. DRAWINGS

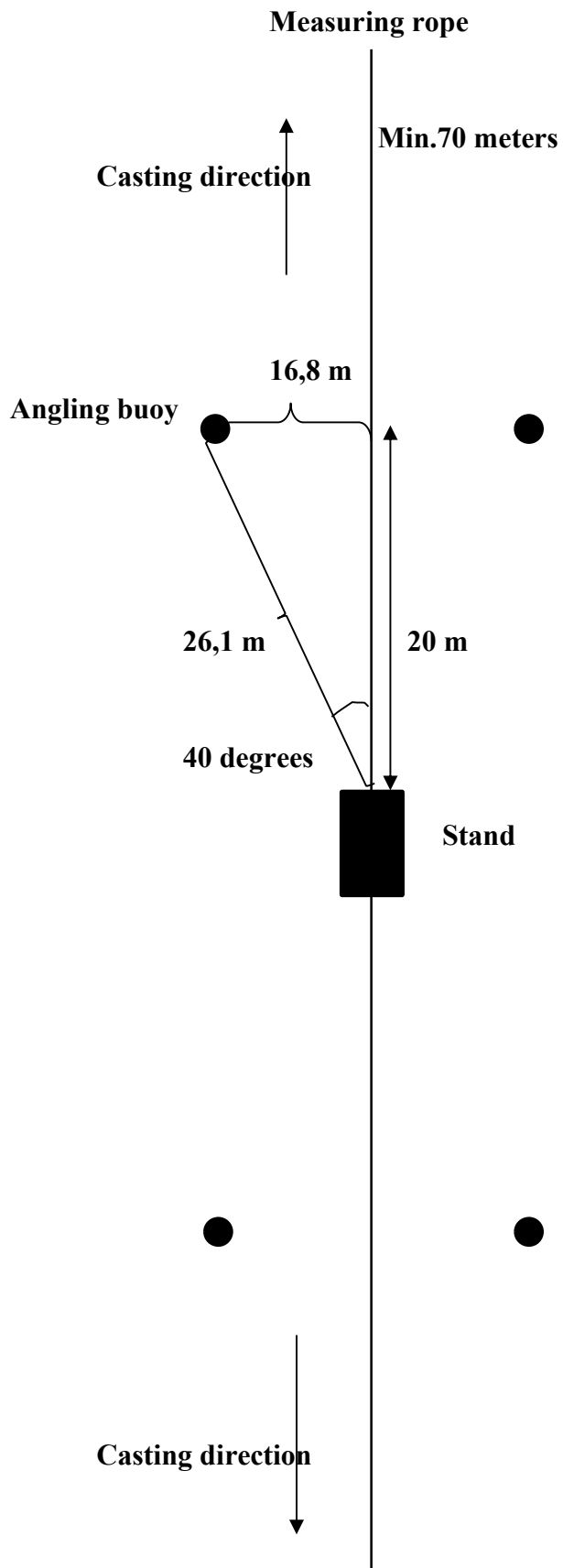
Drawings for the courts of Trout Accuracy.



Drawings for the courts of Trout, Seatrout and Salmon Distance.



Drawings for the courts of Spey 15,1'



Drawings for the courts of Spey 16'/18'.

